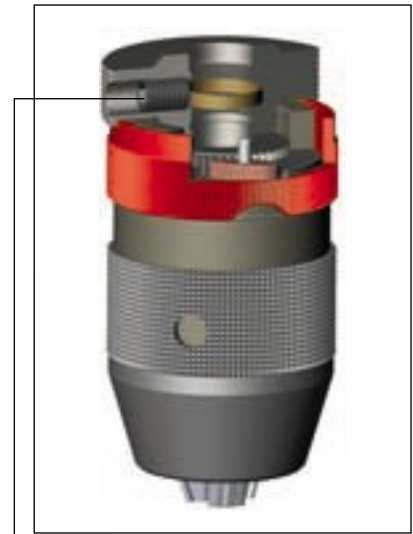


SUPRA-SK



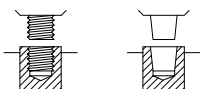
SUPRA-SK with additional thread-lock, size 13

Quick-action keyless drill chuck for percussion drilling machines of all makes. Self-clamping.

A safety device reduces the risk of accidents by preventing the chuck from opening on its own accord even when subjected to heavy vibration and high impact frequencies.

The chuck is sealed against swarf and dirt. When drilling from below (over the head) the swarf is ejected through two holes in the conical sleeve.

The drill can be clamped by hand simply and quickly. Automatic re-tightening in proportion to cutting force means that the clamping force is preserved even with tough jobs.



Type	Size	Jaw width	Mount	Id.-No.	External-∅	Opened length	Closed length	weigh approx. g
141	SK 10S	0,5-10	B 12	305188	40	68	75,7	423
141	SK 10S	0,5-10	3/8" -24	249910	40	66	73,7	428
141	SK 10S	0,5-10	1/2" -20	249925	40	66	73,7	422
141	SK 13S	1-13	B 12	305221	42,8	77	68,1	575
141	SK 13S	1-13	B 16*	305203	42,8	80,2	89,3	594
141	SK 13S	1-13	1/2" -20	249804	42,8	74,2	83,3	544
141	SK 13S	1-13	1/2" -20	863921**	42,8	74,2	83,3	548

* shortened: B16 by 2,5 mm ** with additional thread-lock for thread mount.

Spare parts



Key-Type Drill Chucks

For model	Jaw Set Id.-No.		Gear Ring Id.-No.		Sleeve Id.-No.			
R0-0	064543		399676		399673			
R1-1, R1-38TH, R1-12TH, R8-1	072419		239876		618339			
R8-38TH, R8-12TH	072419		618235		618342			
R2-2, R2-33, R2-38TH, R2-12TH	064537		618217		618215			
R3-2, R3-33, R3-6, R3-38TH, R3-12TH, R3-58TH	091485		618350		618348			
R4-12TH, R4-58TH	070354		368038		368037			
R4-3	078544		014511		368142			
R5-3, R5-4	078544		081289		307248			
R6-5	078591		201025		332640			



Ball Bearing Key-Type Drill Chucks

For model	Jaw Set Id.-No.		Gear Ring Id.-No.		Sleeve Id.-No.		Ball Bearing Id.-No.	Pieces per set
BB13-3	067964		318355		307417		009056	33
BB16-3	072540		318356		307418		081771	29
BB20-4	078544		318357		307419		236620	28
BB26-5	078591		318358		307420		236620	32



Keyless Drill Chucks

For model	Jaw Set Id.-No.		Lock Ring Id.-No.		Sleeve Id.-No.		Spindle	Bearing
Su4-T0	228655		249727		305062		305054	228604
Su6-T1, Su6-38	228647		249729		305114		305106	316980
Su8T1, Su8-38, Su8-12	228657		249729		305158		305150	316980
Su10-S38, Su10S-12	228657		249729		305291		249771	316980
Su10-T2, Su10T33	228650		249731		249781		249968	316981
Su13S-12	316979		249731		305269		249783	316981
Su13-T2, Su13-T6, Su13-T33, Su13-58	228652		249733		305019		305011	058094
Su16S-58	247592		249733		305381		305031	058094
Su16T6	228654		249735		305088		305080	247595
Su-SK10S-12	228657		305217		249916		249920	316980
Su-SK10S-12	316979		305198		249795		305226	316981